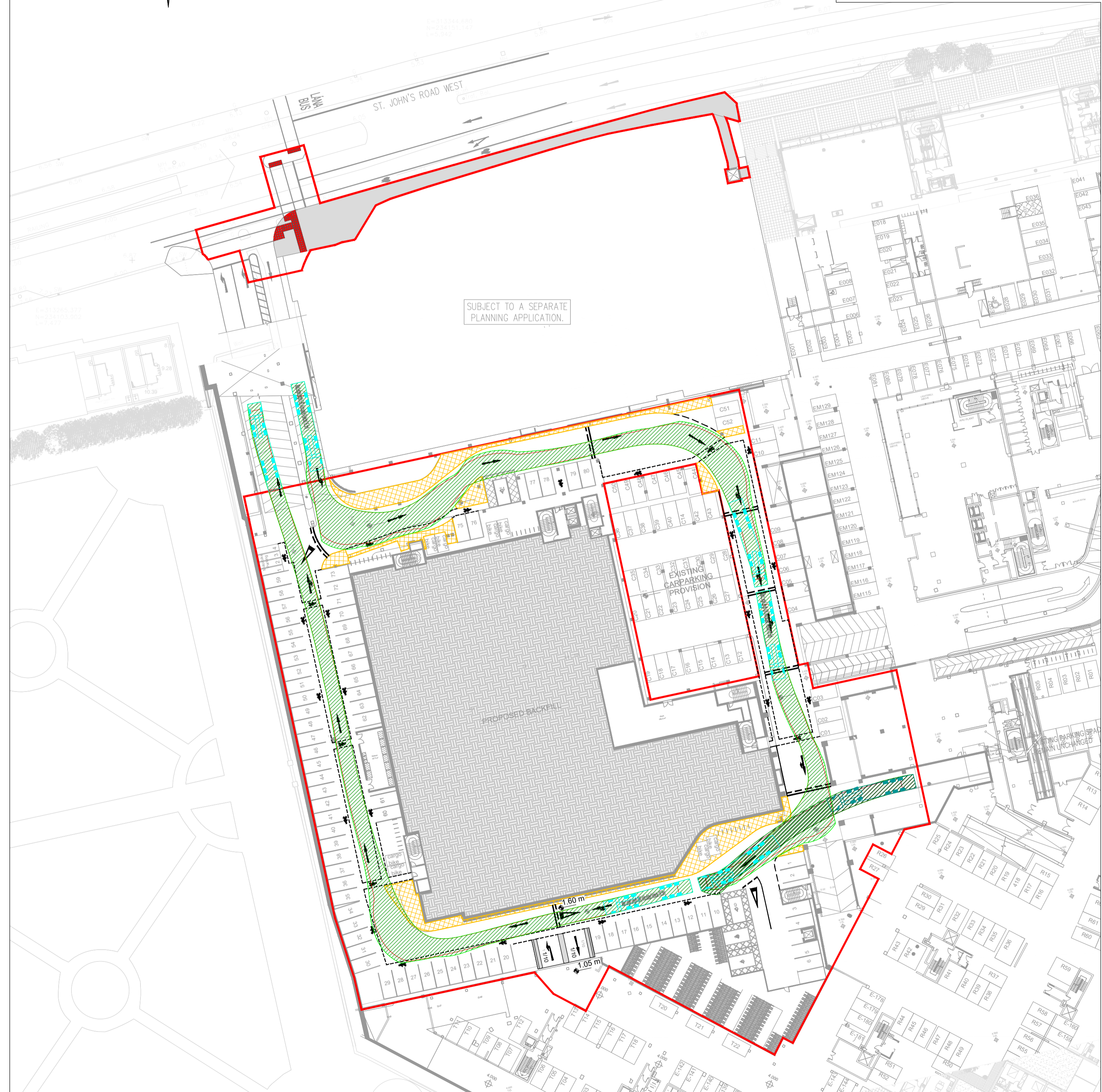
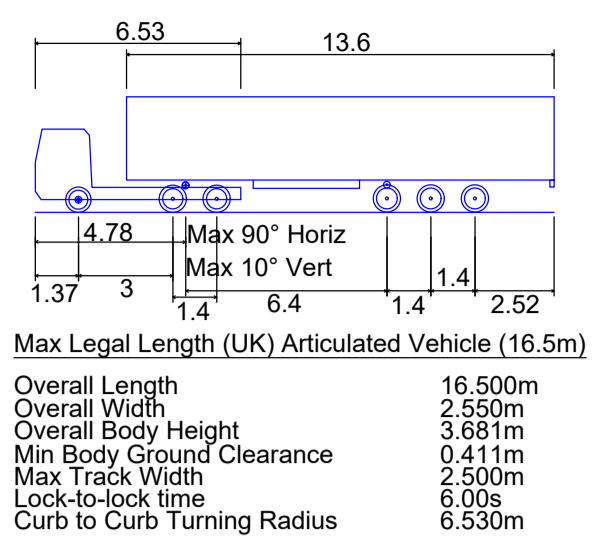
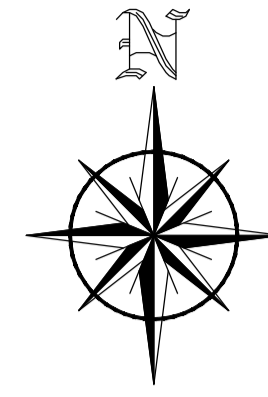


SWEPT PATH ANALYSIS-HGV BASEMENT ACCESS.  
SCALE 1:500



SWEPT PATH ANALYSIS-HGV BASEMENT LEVEL.  
SCALE 1:500

**PLANNING DRAWING.**  
**NOT FOR CONSTRUCTION.**  
ALL LEVELS GIVEN ARE  
RELATIVE TO ORDNANCE DATUM.  
THIS DRAWING HAS BEEN ISSUED FOR INFORMATION  
PURPOSES ONLY AND MUST NOT BE USED  
FOR CONSTRUCTION UNDER ANY CIRCUMSTANCES

- NOTES**
- For setting out refer to Architect's drawings.
  - This drawing to be read in conjunction with all other Architectural and Engineering drawings and all other relevant drawings and Specifications.
  - DO NOT SCALE THIS DRAWING. Use figured dimensions only.
  - No part of this document may be reproduced or transmitted in any form or stored in any retrieval system of any nature without the written permission as copyright holder except as agreed for use on the project for which the document was originally issued.
  - Ordnance Survey Ireland Licence Number EN 0074021

Rev. No	Date	REVISION NOTE	Dim. By	Chkd. By
P1	17.09.2021	ISSUED FOR PLANNING STAGE 3	JS	GF

Architect	Reddy Architecture			
Project	HEUSTON SOUTH QUARTER, ST. JOHN'S ROAD WEST, KILMAINHAM			
Title	SWEPT PATH ANALYSIS HGV			
Dwg. No.	HSQ-CSC-XX-XX-DR-C-0114			
Date	Dim by	Chkd by	Apprv by	Scale
JULY 2021	JS	NB	DR	1:500 @ A1
Revision				<b>P1</b>

**CS Consulting Group**  
DUBLIN | LONDON | LIMERICK

Head Office  
19-22 Dame Street, Dublin 2.  
T: +353 (0)1 5480863 F: +353 (0)1 9011355  
e: info@csconsulting.ie  
w: www.csconsulting.ie

Quality Environment Health & Safety  
I.S. EN ISO 9001:2008  
I.S. EN ISO 14001:2004  
I.S. EN ISO 50001:2011  
OHSAS 18001:2007

H087